

# CAV

## Constant Air Volume Control Dampers



### ACV - Constant Air Volume Control Dampers

- - Adjustable self-regulating constant air volume control dampers in galvanised steel.
  - To be used to regulate airstreams at pressures between 50 and 1000 Pa
  - Temperature ranges between  $-30^{\circ}\text{C}$  and  $100^{\circ}\text{C}$ .
  - Air-flow value can easily be changed by use of an allen key

#### Material

- Galvanized steel housing
- Aluminium regulation blade with piston and spring

#### Colour

- Galvanized steel

#### Mounting

- To be inserted at both sides into a round duct and to be equipped with a silencer if necessary

#### Accessories

- Stainless steel models or insulation shells available upon request

The constant volume control dampers shall be of the circular type, made of galvanized steel and to be inserted at both ends in to the ductwork. They shall contain a self regulating valve, piston and stainless steel spring and shall have an adjustable air volume. The valves shall be used for a pressure range between 20 and 1000Pa.

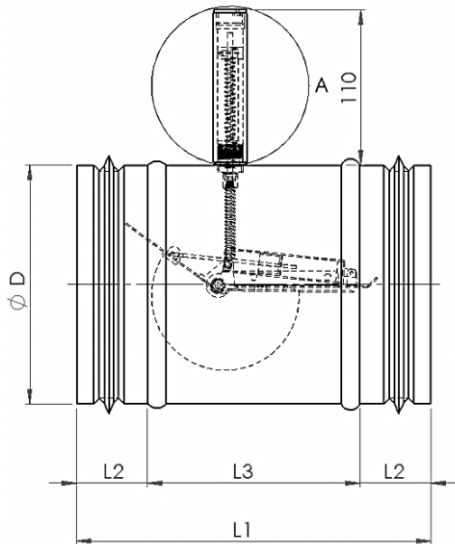
### QUICK SELECTION

CIRCULAR		
TYPE	V <sub>min</sub> [m <sup>3</sup> /h]	V <sub>max</sub> [m <sup>3</sup> /h]
ACD-100	70	210
ACD-125	110	340
ACD-150	160	500
ACD-160	180	570
ACD-200	280	910
ACD-250	440	1440
ACD-300	640	2090
ACD-315	700	2300
ACD-355	890	2940
ACD-400	1130	3750
ACD-500	1770	5880

PRISMATIC		
TYPE	V <sub>min</sub> [m <sup>3</sup> /h]	V <sub>max</sub> [m <sup>3</sup> /h]
ACV-100x100	110	360
ACV-150x100	160	540
ACV-200x100	210	720
ACV-150x150	240	810
ACV-200x150	320	1080
ACV-300x150	480	1620
ACV-200x200	430	1440
ACV-300x200	650	2160
ACV-400x200	860	2880
ACV-300x300	970	3240
ACV-450x300	1460	4860
ACV-600x300	1950	6480
ACV-600x450	2920	9720

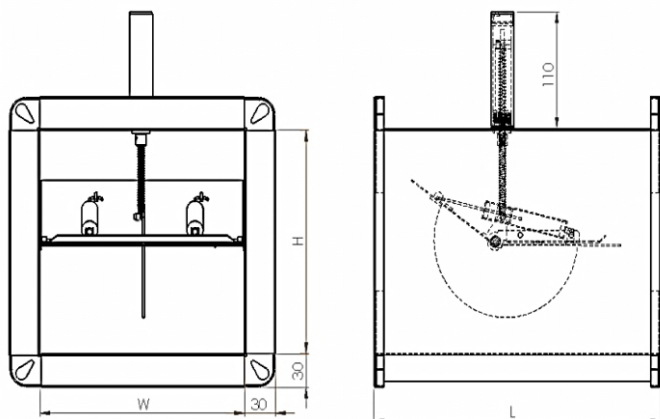
## DIMENSIONS

### 1- Circular



TYPE	ØD (mm)	L1 (mm)	L2 (mm)	L3 (mm)
ACD-100	95	240	40	160
ACD-125	120	240	40	160
ACD-150	145	240	40	160
ACD-160	155	240	40	160
ACD-200	195	280	40	200
ACD-250	245	280	40	200
ACD-300	295	380	40	300
ACD-315	310	380	40	300
ACD-355	350	400	40	320
ACD-400	395	450	40	370
ACD-500	495	600	40	520

## 2- Prismatic (H≤450)



Standard Dimensions			
TYPE	W [mm]	H [mm]	L [mm]
ACV-100x100	100	100	200
ACV-150x100	150	100	200
ACV-200x100	200	100	200
ACV-150x150	150	150	200
ACV-200x150	200	150	200
ACV-300x150	300	150	200
ACV-200x200	200	200	250
ACV-300x200	300	200	250
ACV-400x200	400	200	250
ACV-300x300	300	300	350
ACV-450x300	450	300	350
ACV-600x300	600	300	350
ACV-600x450	600	450	500